



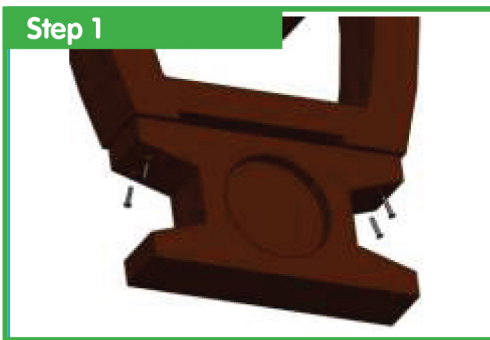
Ground Anchor Type 1
Standard model



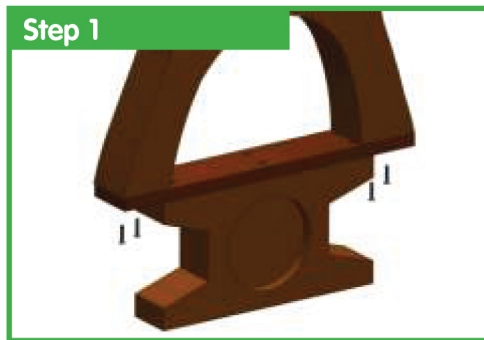
Ground Anchor Type 2
for bench models J 200/M 200



Ground Anchor Type 3
for models SG 180/200/FG 180/200



Fix the ground anchor with the screws enclosed according to this drawing. Pre-drill first with a twist drill 6mm.



Fix the ground anchor with the screws enclosed according to this drawing. Pre-drill first with a twist drill 6mm.



Fix the ground anchor with the screws enclosed according to this drawing. Pre-drill first with a twist drill 6mm.



After the assembly the foundation will be prepared. The correct width and depth of the foundation has to be taken into consideration. The bank feet shall at same level like the surrounding area.

Please take into consideration that the bench must be fixed tilt resistant during drying.



After the assembly the foundation will be prepared. The correct width and depth of the foundation has to be taken into consideration. The bank feet shall at same level like the surrounding area.

Please take into consideration that the bench must be fixed tilt resistant during drying.



After the assembly the foundation will be prepared. The correct width and depth of the foundation has to be taken into consideration. The bank feet shall at same level like the surrounding area.

Please take into consideration that the bench must be fixed tilt resistant during drying.

Required Tools

- Power drill or electric screw driver or screw driver with bit-adapter
- twist drill $\varnothing = 6 \text{ mm}$