

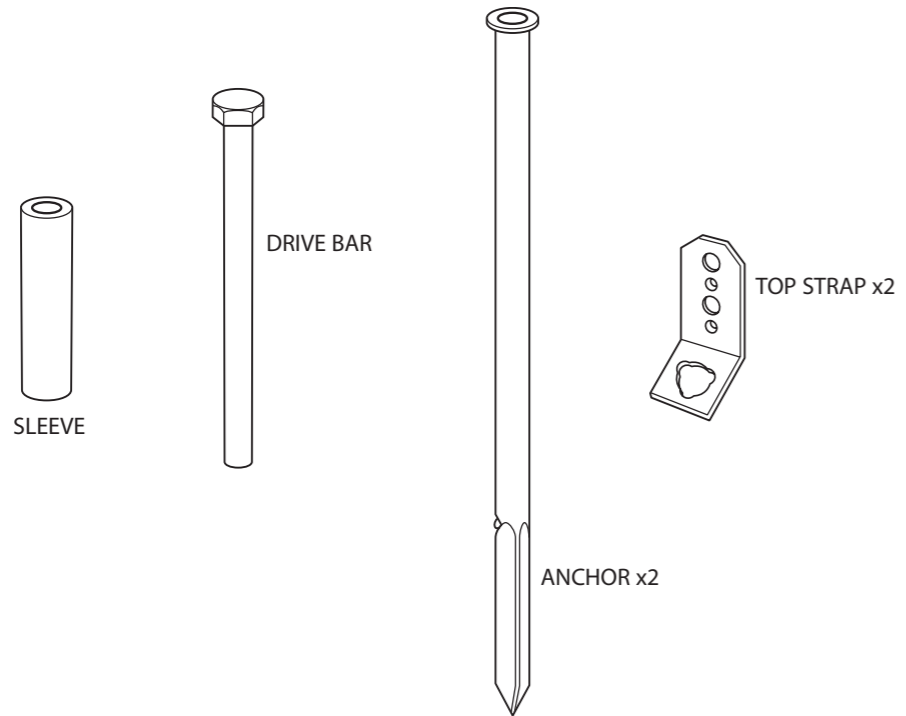
INSTALLATION INSTRUCTIONS

ANCHOR KIT ANC4 & ANC5

DOC REF: 425 ISSUE 01

Kit ANC4 - Anchors, straps and fittings.
 Kit ANC5 - Anchors, straps, fittings and installation tools.

Fittings - 4 x Cross point screws
 4 x Vandal resistant screws
 2 x Tube caps



DRILL / SCREWDRIVER
 AND LARGE CLUB
 HAMMER ALSO
 REQUIRED.

1

Always check for buried services

2

Mark hole positions through straps, drill 2 pilot holes: 3mm dia x 45mm deep. Fix straps using either cross point or vandal resistant screws. Position seat.

Note:
 If removal of seat is likely use the cross point screws.

3

ANCHORING
 Insert drive bar through sleeve and into anchor. Position anchor through the strap.
 Using the hammer drive the anchor, at a shallow angle from the vertical, until flush with the strap.

4

DRIVING OUT THE FLUKE
 Remove sleeve and using the drive bar only hammer down to drive out the fluke. Remove drive bar and push the tube caps into the tops of the anchors.

5

Anchor the two diagonally opposed corners of the seat

PLAN VIEW