



INTERCONNECTABLE FAST FIX MAINS HEAT DETECTOR

**FAST
FIX**

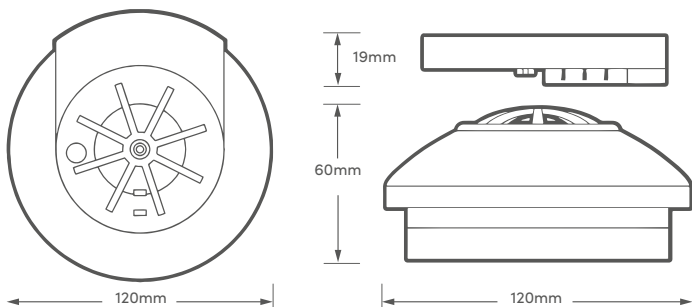


FEATURES

- Interconnect up to 20 wired detectors over 8m max
- 9v Battery Backup included
- Loud 85dB alarm
- Fast Fix base included
- Insect proof
- Test function and hush feature

TECHNICAL INFORMATION

Scheme Rating:	D2
Detection Type:	Heat Sensitive
Power Source:	220-240v
Battery Backup:	9v Battery Backup
Alarm Sound Level:	85dB at 3 metres
Alarm Point:	60°C Fixed Temp
Operating Temp:	0°C - 40°C
Operating Current:	<40mA operation
Coverage Area:	20m ² max at 2.4m mounting height
Weight:	144g
Approvals:	BS EN5446-2:2003



Product Code: HSSA/HE/FF